

24
VOLT

GARAGE OPERATOR T-SKY

Torque 650 N

EN
12445
12453
COMPLIANT



T-SKYKITB

24 V garage door opener complete with one-piece 3 m belt drive rail and one 250T-4RP transmitter

T-SKYKITB3

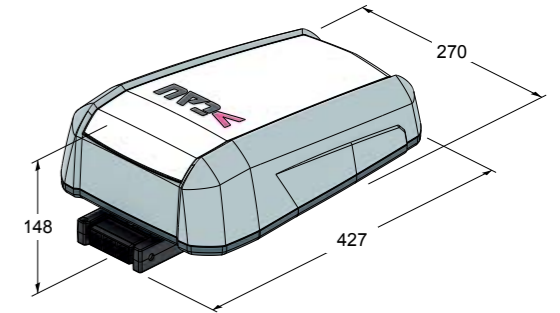
24 V garage door opener complete with three-piece (3 x 1 m) belt drive rail and one 250T-4RP transmitter

T-SKYKITC

24 V garage door opener complete with one-piece 3 m chain drive rail and one 250T-4RP transmitter

T-SKYKITC3

24 V garage door opener complete with three-piece (3 x 1 m) chain drive rail and one 250T-4RP transmitter



Features:

- residential use
- for sectional and up-and-over garage doors
- torque 650 N
- low voltage DC garage door opener
- optical encoder technology
- electronic control unit with built-in radio receiver
- built-in battery charger
- manual release mechanism
- courtesy light with time delay

Pros:

- obstacle detection and crush prevention
- in accordance with EN 12445-12453 standards
- works even during power outage thanks to the optional backup battery
- intensive use
- motor head turns 90° left/right for installation in shorter garages
- pre-programmed electronic control unit
- exclusive "push & flip" opening system

Technical features	T-SKYKITC	T-SKYKITB
Drive system	chain	belt
Power supply	230 V AC (50 - 60 Hz)	
Motor power supply	24 V DC	
Absorption	2,2 A	
Absorbed power	53 W	
Max. operating speed	7,3 m/min	
Duty cycle	100 %	
Max. torque	10 Nm	
Operating temperature	-20° C ÷ +55° C	
Motor thermal protection	-	
Degree of protection	IP 40	
Traction Power	450 N	

Accessories included in the kit:



BELT OR CHAIN
DRIVE RAIL



250T-4RP
Transmitter

Accessories



750BATTSKY
Back-up battery kit, 1,2 Ah



900LAMP5
24 V flashing light



150SE
External emergency release



900OPTIC
Set of safety photocells



100BANT
Adapter for up-and-over
garage doors



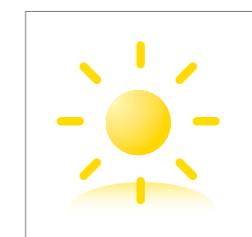
100PROC
1 m extension chain drive rail



100BINSUPP
Set of additional fixing
brackets



100PROB
1 m extension belt drive rail



Solar power
Thanks to the Photovoltaic (PV) Technology, every low voltage DC gate operator can be solar powered. Discover the advantages of the solar energy at page 124



Further accessories:
Transmitters page 104
Photocells page 110
Flashing lights page 113



Battery Pack
T-SKY garage door opener will work even when the power goes out thanks to the optional backup battery.



Push and Flip
The electronic control unit is easily accessible thanks to the exclusive "push & flip" opening system.



The above represented installation does not include safety devices such as safety edges. Their addition depends upon the risk assessment made on any installation in accordance with EN 12445-12453 standards.

24
VOLT

GARAGE OPERATOR T-SKY₁

Torque 1000 N



EN
12445
12453
COMPLIANT

Features:

- residential use
- for sectional and up-and-over garage doors
- torque 1000 N
- low voltage DC garage door opener
- optical encoder technology
- electronic control unit with built-in radio receiver
- built-in battery charger
- manual release mechanism
- courtesy light with time delay

Pros:

- higher torque
- ideal for large garage doors
- intensive use
- motor head turns 90° left/right for installation in shorter garages
- pre-programmed electronic control unit
- exclusive "push & flip" opening system



For installation in limited spaces, T-SKY head unit can be rotated 90 degrees clockwise or counterclockwise.



The new, user-friendly manual release mechanism allows to hook the garage door at any position

Technical features	T-SKYKIT1C	T-SKYKIT1B
Drive system	chain	belt
Power supply	230 V AC (50 - 60 Hz)	
Motor power supply	24 V DC	
Absorption	2,5 A	
Absorbed power	60 W	
Speed maneuver	7,3 m/min	
Duty cycle	100 %	
Max. torque	12 Nm	
Operating temperature	-20° C ÷ +55° C	
Motor thermal protection	-	
Degree of protection	IP 40	
Traction Power	570 N	



The above represented installation does not include safety devices such as safety edges. Their addition depends upon the risk assessment made on any installation in accordance with EN 12445-12453 standards.



T-SKYKIT1B

24 V garage door opener complete with one-piece 3 m belt drive rail and one 250T-4RP transmitter

T-SKYKIT1B3

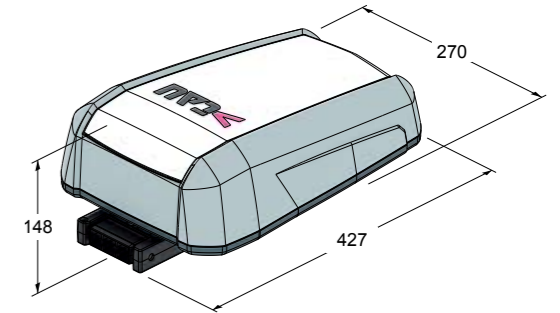
24 V garage door opener complete with three-piece (3 x 1 m) belt drive rail and one 250T-4RP transmitter

T-SKYKIT1C

24 V garage door opener complete with one-piece 3 m chain drive rail and one 250T-4RP transmitter

T-SKYKIT1C3

24 V garage door opener complete with three-piece (3 x 1 m) chain drive rail and one 250T-4RP transmitter



Accessories included in the kit:



BELT OR CHAIN DRIVE RAIL



250T-4RP Transmitter

Accessories



750BATTSKY Back-up battery kit, 1,2 Ah



900LAMP5 24 V flashing light



150SE External emergency release



900OPTIC Set of safety photocells



100BANT Adapter for up-and-over garage doors



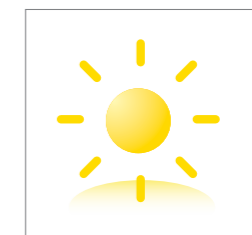
100PROC 1 m extension chain drive rail



100BINSUPP Set of additional fixing brackets



100PROB 1 m extension belt drive rail



Solar power
Thanks to the Photovoltaic (PV) Technology, every low voltage DC gate operator can be solar powered. Discover the advantages of the solar energy at page 124



Further accessories:
Transmitters page 104
Photocells page 110
Flashing lights page 113