

OPERATOR MRC-M

For awnings and shutters.
Maximum torque 50 Nm.



110
VOLT
AVAILABLE

850MRC20M

230 V Tubular motor, hand crank function, Ø 45 mm, c/w bracket and adapters for tube Ø 70 mm 20 Nm torque

850MRC30M

230 V Tubular motor, hand crank function, Ø 45 mm, c/w bracket and adapters for tube Ø 70 mm 30 Nm torque

850MRC40M

230 V Tubular motor, hand crank function, Ø 45 mm, c/w bracket and adapters for tube Ø 70 mm 40 Nm torque

850MRC50M

230 V Tubular motor, hand crank function, Ø 45 mm, c/w bracket and adapters for tube Ø 70 mm 50 Nm torque

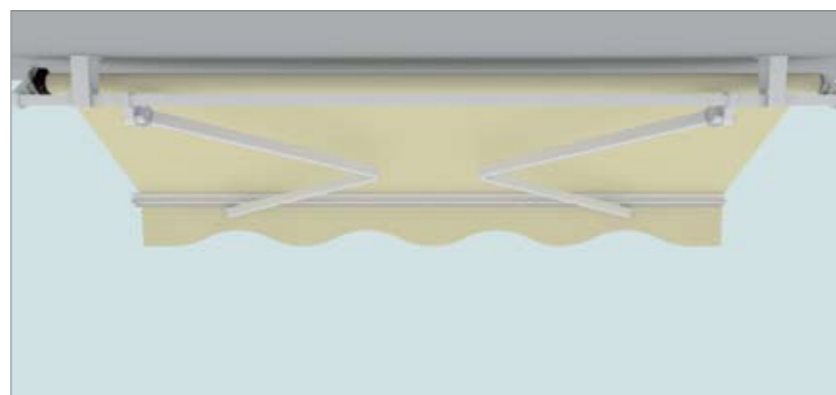
Features:

- tubular motor Ø 45 mm
- 230 V motor
- built-in hand crank function
- self-braking motor
- max. run time 4'

Pros:

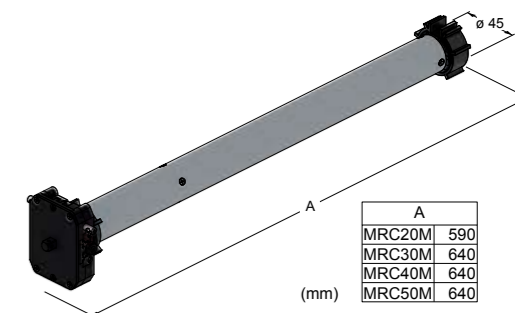
- ideal for awnings' projection up to 4 m
- quick installation
- easy setting of limit switches
- emergency manual operation thanks to the optional hand crank
- easy limit switch setting

Technical features	MRC20M	MRC30M	MRC40M	MRC50M
Degree of protection	IP 44			
Power supply	230 V AC (50 - 60 Hz)			
Absorption	0,92 A	1,1 A	1,3 A	1,4 A
Absorbed power	205 W	230 W	292 W	308 W
Crown Speed	15 rpm	15 rpm	15 rpm	12 rpm
Lifting Power	38 kg	56 kg	76 kg	94 kg
Operating temperature	-10° C ÷ +60° C			
Operating time	4 min.			
Torque	20 Nm	30 Nm	40 Nm	50 Nm



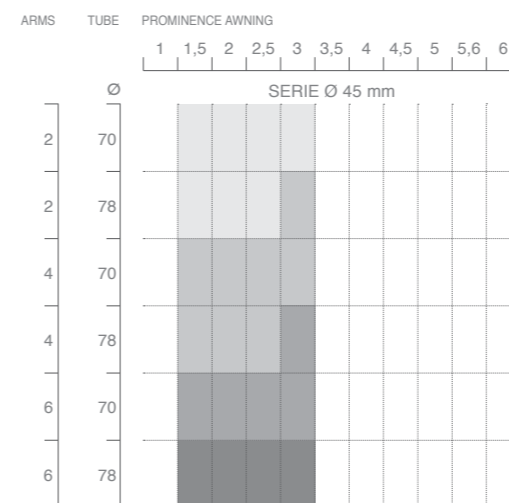
Accessories

- | | | | |
|--|--|--|--|
| | 850AD70C
Replacement crown drive adapter kit for tube Ø 70 mm | | 850CSVP
Weather station |
| | 850SND45C
45°/90° hand crank loop for shutter box | | 850 ANCP
Wind and twilight sensor |
| | 850DZ68
Replacement bracket for MRC-M tubular motors | | 850PLV
Rain sensor |
| | 850MAN150
Steel hand crank, 1500 mm, with joint arm | | 300PP
External surface-mounted pushbutton |
| | 850OCC
Hand crank loop | | |

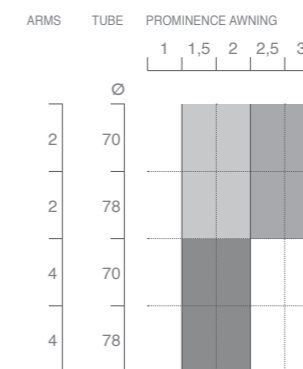


Application chart for awnings

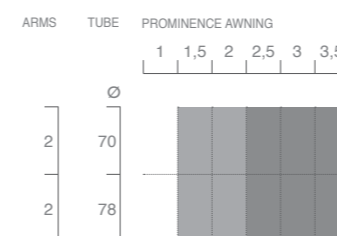
ARM WITH 15 Kg. POWER



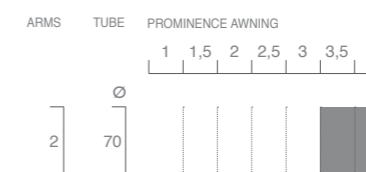
ARM WITH 25 Kg. POWER



ARM WITH 35 Kg. POWER



ARM WITH 45 Kg. POWER



References

