

12  
VOLT

# GATE OPERATOR ARM BENC

For gate leaves up to 5 m



### 650ARM225BENC

12 V electromechanical linear gate operator with encoder. Maximum gate leaf 3 m

### 650ARM250BENC

12 V electromechanical linear gate operator with encoder. Maximum gate leaf 4 m

### 650ARM270BENC

12 V electromechanical linear gate operator with encoder. Maximum gate leaf 5 m

#### Features:

- residential / apartment building / commercial use
- for gates leaves up to 5 m
- low voltage DC gate operator
- optical encoder technology
- rod extension gate operator
- adjustable mounting brackets

#### Pros:

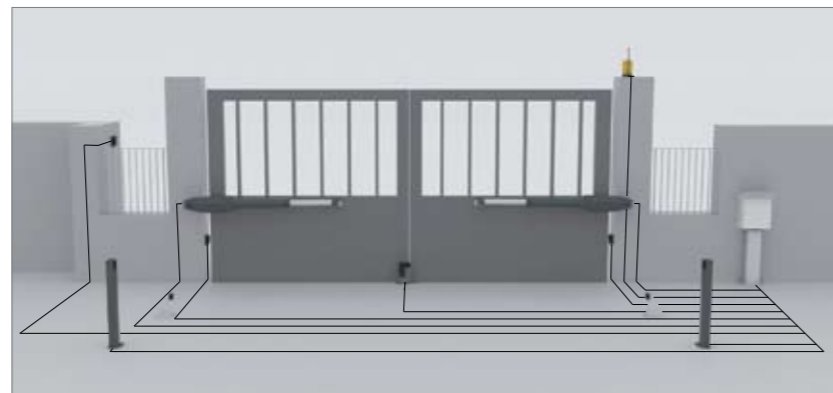
- obstacle detection and crush prevention
- in accordance with EN 12445-12453 standards
- works even during power outage thanks to the optional backup battery
- fast operating speed
- soft start and soft stop
- intensive use, ideal for use on apartment buildings and public entrances
- electrical connections are easier thanks to the larger upper space
- quick and easy installation
- suitable for large gates and non standard sized posts



**Easy mounting**  
Multi-position adjustable brackets allow greater flexibility during assembly even on non standard sized posts



**Manual release with personal key**  
Easy-to-operate manual release with key lock for the less skilled users



The above represented installation does not include safety devices such as safety edges. Their addition depends upon the risk assessment made on any installation in accordance with EN 12445-12453 standards.



### KARM225BT

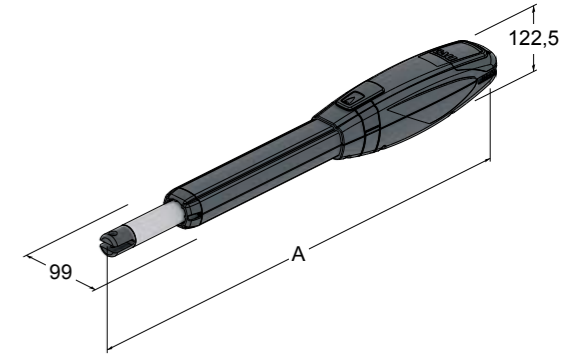
Complete double arm automation kit for gates up to 3 + 3 m, with two 650ARM225B gate operators

### KARM250BT

Complete double arm automation kit for gates up to 4 + 4 m, with two 650ARM250B gate operators

### KARM270BT

Complete double arm automation kit for gates up to 5 + 5 m, with two 650ARM270B gate operators



	A
ARM225BENC	811
ARM250BENC	951
ARM270BENC	1056

#### Accessories included in the kit:



#### Accessories

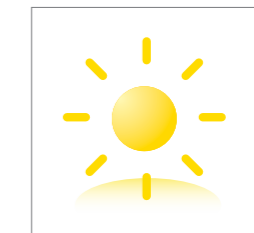


⚠ Use only M-030000CC50 cable or equivalent

📄 See page 128 for assembly measurements and opening angle



\*They refer to leaves with openings and not totally closed panels.



**Solar power**  
Thanks to the Photovoltaic (PV) Technology, every low voltage DC gate operator can be solar powered. Discover the advantages of the solar energy at page 124



**Further accessories:**  
Transmitters page 104  
Photocells page 110  
Flashing lights page 113

# ARM 225/250/270

For gate leaves up to 5 m



### 650ARM225

230 V electromechanical linear gate operator. Maximum gate leaf 3 m

### 650ARM250

230 V electromechanical linear gate operator. Maximum gate leaf 4 m

### 650ARM270

230 V electromechanical linear gate operator. Maximum gate leaf 5 m

#### Features:

- residential / commercial use
- for gates leaves up to 5 m
- 230 V gate operator
- built-in capacitor
- rod extension gate operator
- adjustable mounting brackets

#### Pros:

- electrical connections are easier thanks to the larger upper space
- quick and easy installation
- manual release with key lock
- high torque and power
- suitable for large gates and non standard sized posts



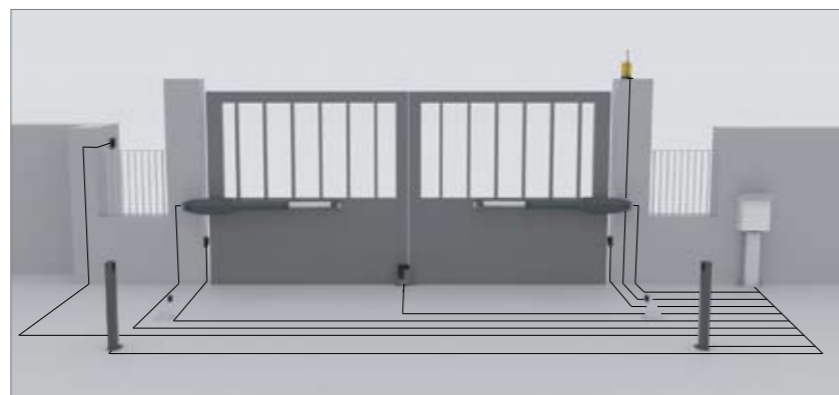
#### Easy mounting

Multi-position adjustable brackets allow greater flexibility during assembly even on non standard sized posts



#### Exclusive design

The new shapes adapt to any type of gate and have been designed to simplify installation and maintenance



Technical features	ARM225	ARM250	ARM270
Power supply	230 V AC (50 - 60 Hz)	230 V AC (50 - 60 Hz)	230 V AC (50 - 60 Hz)
Motor power supply	230 V AC	230 V AC	230 V AC
Absorption	1,5 A	1,5 A	1,5 A
Absorbed power	280 W	280 W	280 W
Opening time 90°	20 sec.	20,5 sec.	21 sec.
Duty cycle	36 %	36 %	36 %
Max. thrust	2300 N	2300 N	2300 N
Operating temperature	-20° C ÷ +55° C	-20° C ÷ +55° C	-20° C ÷ +55° C
Motor thermal protection	160° C	160° C	160° C
Degree of protection	IP 44	IP 44	IP 44

The above represented installation does not include safety devices such as safety edges. Their addition depends upon the risk assessment made on any installation in accordance with EN 12445-12453 standards.



### KARM225T

Complete double arm automation kit for gates up to 3 + 3 m, with two 650ARM225 gate operators

### KARM250T

Complete double arm automation kit for gates up to 4 + 4 m, with two 650ARM250 gate operators

### KARM270T

Complete double arm automation kit for gates up to 5 + 5 m, with two 650ARM270 gate operators

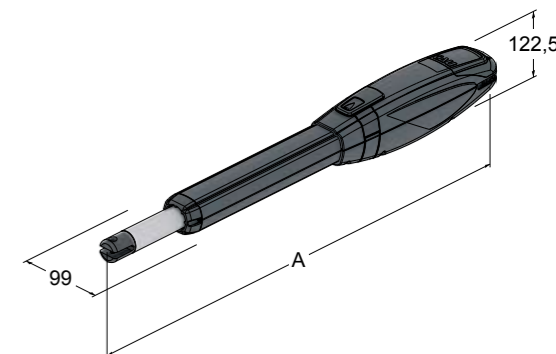
#### Accessories included in the kit (foundation boxes to be ordered separately):



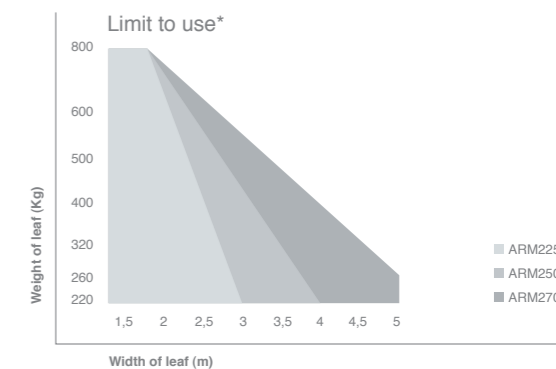
#### Accessories



See page 128 for assembly measurements and opening angle



	A
ARM225	811
ARM250	951
ARM270	1056



\*They refer to leaves with openings and not totally closed panels.



**Further accessories:**  
Transmitters page 104  
Photocells page 110  
Flashing lights page 113