

12
VOLT

GATE OPERATOR ARM 2000ENC

For gate leaves up to 3 m



650ARM2000ENC

12 V electromechanical covered screw gate operator with encoder. Maximum gate leaf 3 m

Features:

- residential use
- for gates leaves up to 3 m
- low voltage DC gate operator
- optical encoder technology
- covered screw gate operator
- adjustable mounting brackets

Pros:

- obstacle detection and crush prevention
- in accordance with EN 12445-12453 standards
- works even during power outage thanks to the optional backup battery
- fast operating speed
- soft start and soft stop
- intensive use, ideal for use on apartment buildings and public entrances
- bronze lead nut for strength and silent operation
- electrical connections are easier thanks to the larger upper space
- quick and easy installation

Technical features	ARM2000ENC
Power supply	230 V AC (50 - 60 Hz)
Motor power supply	18 V DC
Absorption	1,3 A
Absorbed power	24 W
Opening time 90°	12 sec.
Duty cycle	100 %
Max. thrust	2600 N
Operating temperature	-20° C ÷ +55° C
Motor thermal protection	-
Degree of protection	IP 44



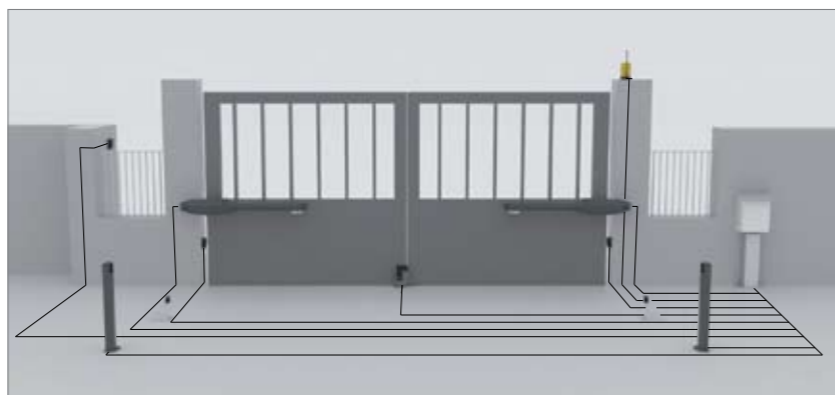
Easy mounting

Multi-position adjustable brackets allow greater flexibility during assembly even on non standard sized posts



Manual release with personal key

Easy-to-operate manual release with key lock for the less skilled users



The above represented installation does not include safety devices such as safety edges. Their addition depends upon the risk assessment made on any installation in accordance with EN 12445-12453 standards.



KARM2000BT

Complete double arm automation kit for gates up to 3 + 3 m, with two 650ARM2000ENC gate operators

Accessories included in the kit:

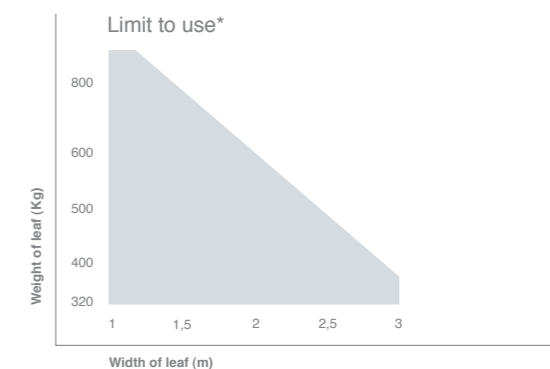
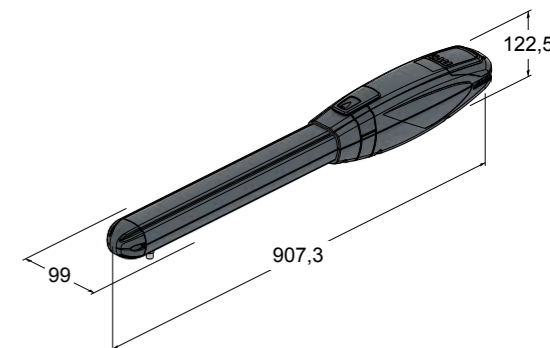


Accessories

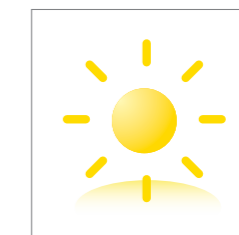


⚠ Use only M-030000CC50 cable or equivalent

📄 See page 128 for assembly measurements and opening angle



*They refer to leaves with openings and not totally closed panels.



Solar power
Thanks to the Photovoltaic (PV) Technology, every low voltage DC gate operator can be solar powered. Discover the advantages of the solar energy at page 124



Further accessories:
Transmitters page 104
Photocells page 110
Flashing lights page 113

ARM 2000/F/FC

For gate leaves up to 3 m



650ARM2000

230 V electromechanical covered screw gate operator. Maximum gate leaf 3 m

650ARM2000F

230 V electromechanical covered screw gate operator with opening limit switch. Maximum gate leaf 3 m

650ARM2000FC

230 V electromechanical covered screw gate operator with opening and closing limit switches. Maximum gate leaf 3 m

Features:

- residential use
- for gates leaves up to 3 m
- 230 V gate operator
- built-in capacitor
- available with or without electro-mechanical limit switches
- covered screw gate operator
- adjustable mounting brackets

Pros:

- bronze lead nut for strength and silent operation
- electrical connections are easier thanks to the larger upper space
- quick and easy installation
- manual release with key lock
- high torque and power



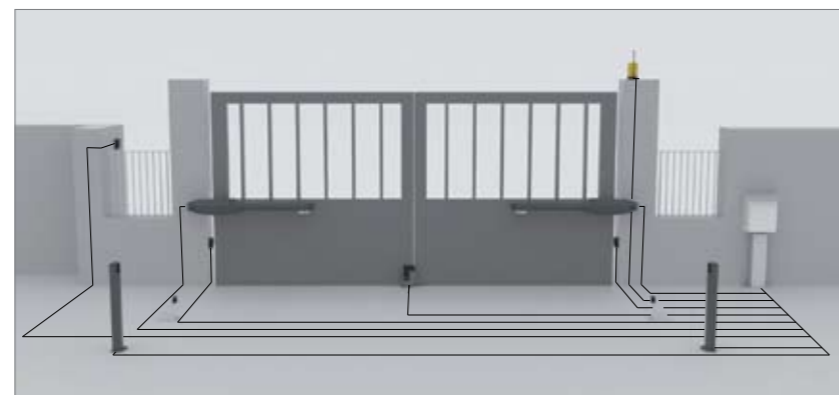
Easy mounting

Quick and easy installation thanks to the multi-position adjustable mounting brackets supplied with each gate operator.



Adjustable limit switches

Electro-mechanical limit switches allow gate position adjustment even when gate stoppers are not used



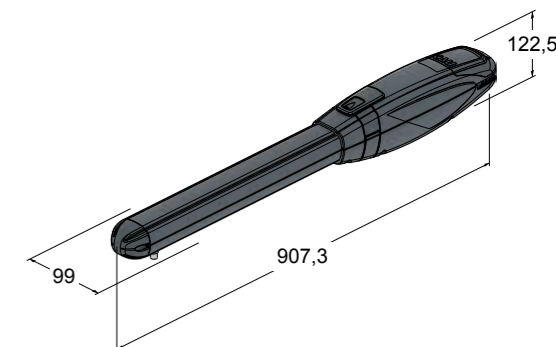
The above represented installation does not include safety devices such as safety edges. Their addition depends upon the risk assessment made on any installation in accordance with EN 12445-12453 standards.



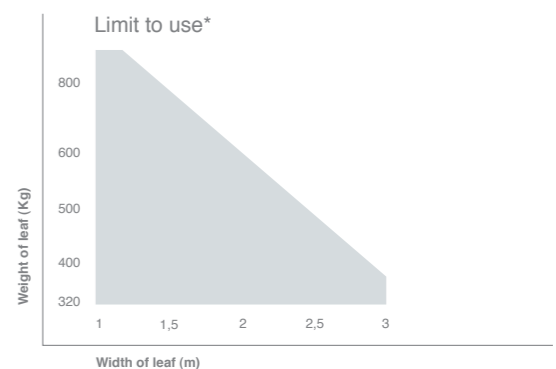
KARM2000T

Complete double arm automation kit for gates up to 3 + 3 m, with two 650ARM2000 gate operators

Accessories included in the kit:



Accessories



*They refer to leaves with openings and not totally closed panels.



Further accessories:
Transmitters page 104
Photocells page 110
Flashing lights page 113

See page 128 for assembly measurements and opening angle