

12
VOLT

GATE OPERATOR R18 BENC

For gate leaves up to 1,8 m



650R18BENC

12 V electromechanical gate operator with encoder. Maximum gate leaf 1,8 m (foundation box to be ordered separately)

650R18BENCVEL

12 V fast electromechanical gate operator with encoder. Maximum gate leaf 1,2 m / 200 kg (foundation box to be ordered separately)

Features:

- residential use
- for gates leaves up to 1,8 m
- low voltage DC gate operator
- optical encoder technology
- electromechanical motor

Pros:

- compact size
- virtually invisible, does not affect the design of the gate
- opening up to 360° with no additional accessories
- obstacle detection and crush prevention
- in accordance with EN 12445-12453 standards
- works even during power outage thanks to the optional backup battery
- fast operating speed
- intensive use, ideal for use on apartment buildings and public entrances



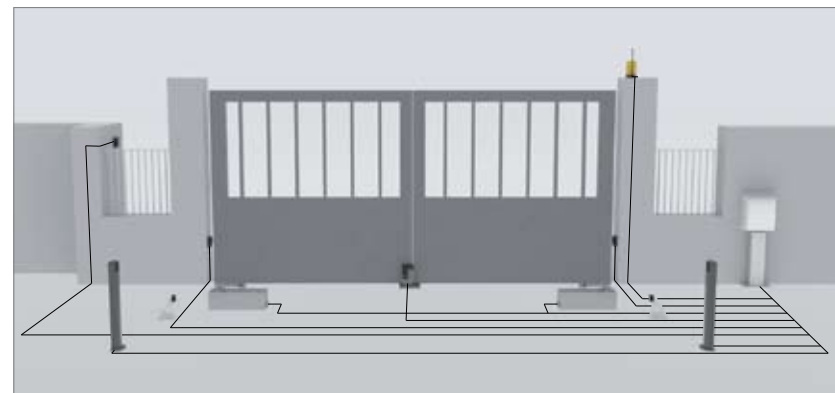
Watertight
The new watertight collar diverts rain water ensuring a complete and lasting protection.



Opening up to 360°
The compact R18 gate operator is ideal where space is an issue



Technical features	R18BENC	R18BENCVEL
Power supply	230 V AC (50 - 60 Hz)	230 V AC (50 - 60 Hz)
Motor power supply	18 V DC	18 V DC
Absorption	0,7 A	0,8 A
Absorbed power	14 W	15 W
Opening time 90°	13 sec.	9 sec.
Duty cycle	100 %	100 %
Max. torque	192 Nm	180 Nm
Operating temperature	-20° C ÷ +55° C	-20° C ÷ +55° C
Motor thermal protection	-	-
Degree of protection	IP 67	IP 67



The above represented installation does not include safety devices such as safety edges. Their addition depends upon the risk assessment made on any installation in accordance with EN 12445-12453 standards.



INSIDE04T

Complete underground automation kit for gates up to 1,8 + 1,8 m, with two 650R18BENC gate operators

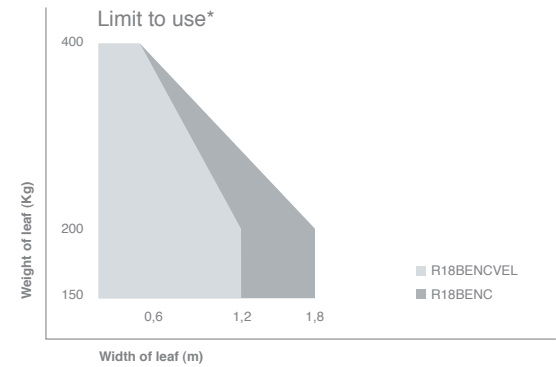
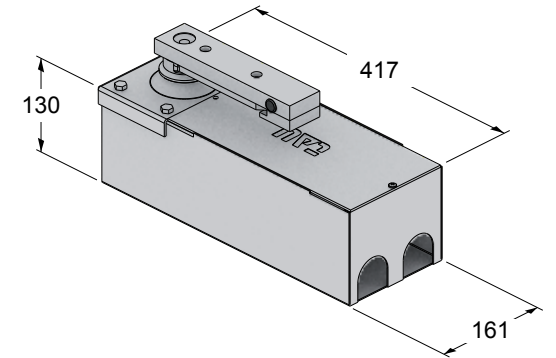
Accessories included in the kit (foundation boxes to be ordered separately):



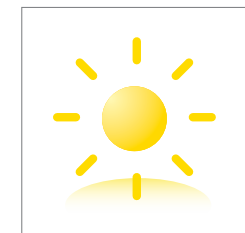
Accessories



⚠ Use only M-030000CC50 cable or equivalent



*They refer to leaves with openings and not totally closed panels.



Solar power
Thanks to the Photovoltaic (PV) Technology, every low voltage DC gate operator can be solar powered. Discover the advantages of the solar energy at page 124



Further accessories:
Transmitters page 104
Photocells page 110
Flashing lights page 113

GATE OPERATOR R18

For gate leaves up to 1,8 m

650R18

230 V electromechanical gate operator. Maximum gate leaf 1,8 m (foundation box to be ordered separately)

Features:

- residential use
- for gates leaves up to 1,8 m
- 230 V gate operator
- electromechanical motor

Pros:

- compact size
- virtually invisible, does not affect the design of the gate
- opening up to 360° with no additional accessories
- manual release
- high torque and power



Watertight

The new watertight collar diverts rain water ensuring a complete and lasting protection.

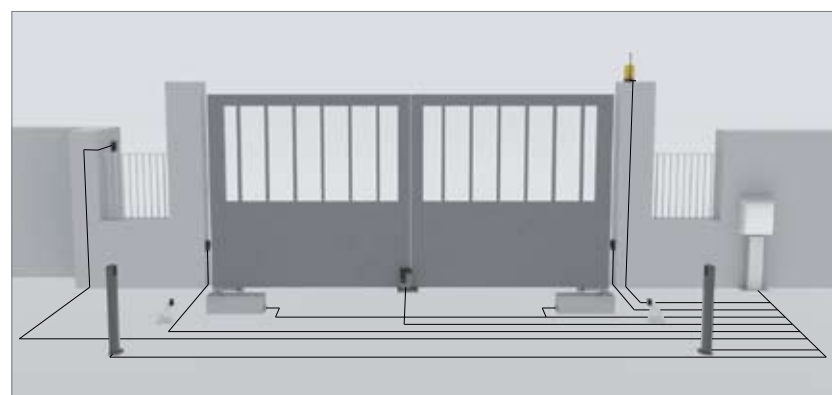


Opening up to 360°

The compact R18 gate operator is ideal where space is an issue



Technical features		R18
Power supply		230 V AC (50 - 60 Hz)
Motor power supply		230 V AC
Absorption		1,3 A
Absorbed power		240 W
Opening time 90°		22 sec.
Duty cycle		32 %
Max. torque		148 Nm
Operating temperature		-20° C ÷ +55° C
Motor thermal protection		160° C
Degree of protection		IP 67



The above represented installation does not include safety devices such as safety edges. Their addition depends upon the risk assessment made on any installation in accordance with EN 12445-12453 standards.



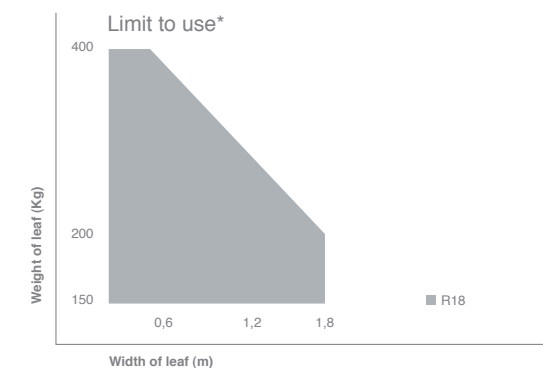
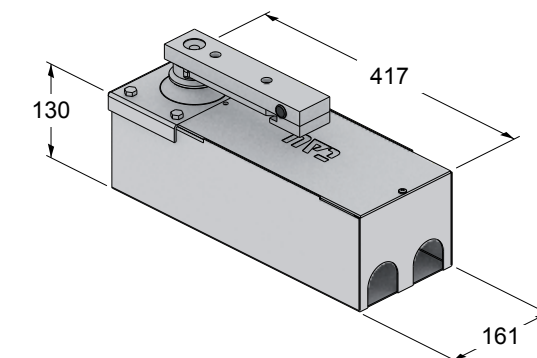
INSIDE05T

Complete underground automation kit for gates up to 1,8 + 1,8 m, with two 650R18 gate operators

Accessories included in the kit (foundation boxes to be ordered separately):



Accessories



*They refer to leaves with openings and not totally closed panels.



Further accessories:
Transmitters page 104
Photocells page 110
Flashing lights page 113