

GATE OPERATOR

F10

For sliding or folding doors up to 1500 kg

500F10CA1

230 V chain drive sliding or folding door operator, complete with limit switch. Maximum door weight 1000 kg

500F10CA

230 V chain drive sliding or folding door operator. Maximum door weight 1000 kg

500F15C1

400 V chain drive sliding or folding door operator, complete with limit switch. Maximum door weight 1500 kg

500F15C

400 V chain drive sliding or folding door operator. Maximum door weight 1500 kg

Features:

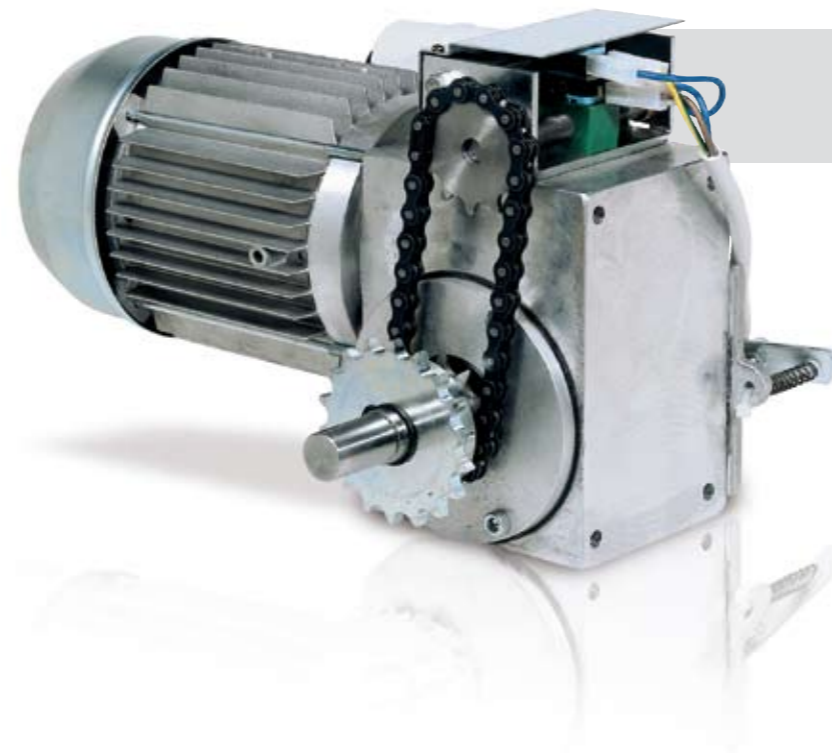
- commercial use
- for folding or sliding doors up to 1500 kg
- irreversible motor

Pros:

- semi-intensive use
- high torque and power
- irreversible door operator
- ideal for wide hall openings (multi-leaf folding doors)
- quick and easy installation thanks to the built-in limit switch (F10CA1 / F15CA1)
- version with separated limit switch (F10CA / F15CA) recommended where a higher precision is required



Chain transmission
SPEED2CTN can directly be installed on the door thanks to the chain transmission



Technical features	F10CA/1	F15C/1
Power supply	230 V AC (50 - 60 Hz)	400 V AC (50 - 60 Hz)
Motor power supply	230 V AC	400 V AC
Absorption	3,9 A	3,25 A
Absorbed power	720 W	1800 W
Duty cycle	50 %	55 %
Max. torque	39 Nm	60 Nm
Operating temperature	-20° C ÷ +55° C	-20° C ÷ +55° C
Motor thermal protection	150° C	150° C
Degree of protection	IP 40	IP 40
Output speed	10,3 m/min	10,3 m/min
Max. gate leaf weight	<1000 kg	<1500 kg



The above represented installation does not include safety devices such as safety edges. Their addition depends upon the risk assessment made on any installation in accordance with EN 12445-12453 standards.

Accessories



600D703
230/400 V electronic control unit for one gate operator with electrical brake



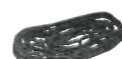
M-03083850LR
Limit switch



550TEN
Chain stretcher



550MS
Release system



550CAT5
1/2" x 5/16" chain (5 m)



800B600100
F10/F15 Mounting plate



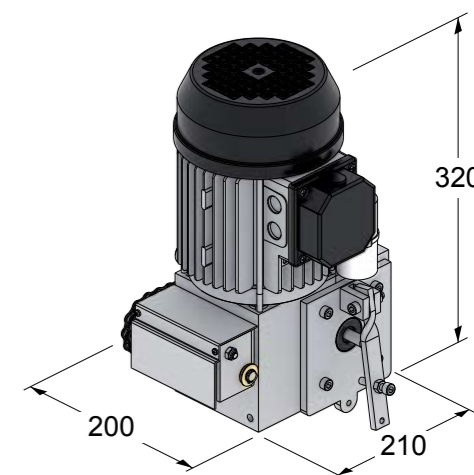
300PPI
Heavy duty pushbutton panel



C-TARG
Aluminium CE mark label, self adhesive



C-CRT
Warning signal



Further accessories:
Transmitters page 104
Photocells page 110
Flashing lights page 113