

12
VOLT

GATE OPERATOR B12ENC

For door leaves up to 1,2 m



150B12ENC Dx/Sx

12 V electromechanical folding door operator with encoder. Right Hand operation. Maximum leaf 1,2 m (telescopic arm to be ordered separately)



Features:

- commercial use
- low voltage DC motor
- telescopic arm operator
- optical encoder technology
- irreversible motor
- courtesy light with time delay

Pros:

- obstacle detection and crush prevention
- in accordance with EN 12445-12453 standards
- works even during power outage thanks to the optional backup battery
- fast operating speed
- intensive use
- soft start and soft stop
- irreversible door operator

Technical features	B12ENC
Power supply	230 V AC (50 - 60 Hz)
Motor power supply	18 V DC
Absorption	0,85 A
Absorbed power	16 W
Duty cycle	100 %
Max. torque	416 Nm
Operating temperature	-20° C ÷ +55° C
Motor thermal protection	-
Degree of protection	IP 40
Opening time 90°	13 sec.
Reduction ratio	1/672
Max. wing width	1,2 m

Accessories



150L06
Steel support, 605 mm



150KITBDLM
Set of two telescopic arms with brackets



550MS
Release system



C-CRT
Warning signal



750D747M
Electronic control unit for one or two 12 V gate operators with encoder, c/w transformer and enclosure



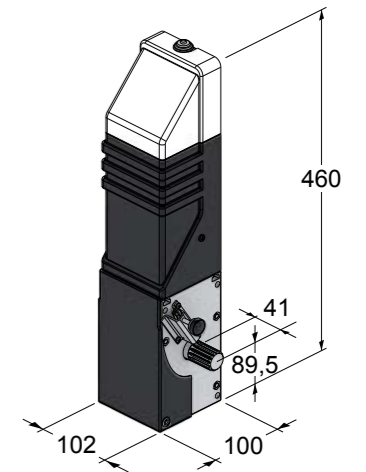
200BATT
12 V back-up battery, 7,2 Ah



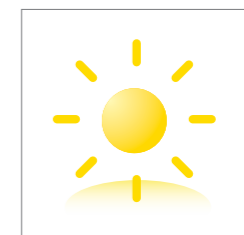
750SCB12
Battery charger (optional)



C-TARG
Aluminium CE Mark Label, self adhesive



The above represented installation does not include safety devices such as safety edges. Their addition depends upon the risk assessment made on any installation in accordance with EN 12445-12453 standards.



Solar power
Thanks to the Photovoltaic (PV) Technology, every low voltage DC gate operator can be solar powered. Discover the advantages of the solar energy at page 124



Further accessories:
Transmitters page 104
Photocells page 110
Flashing lights page 113

GATE OPERATOR

B10

For door leaves up to 1,2 m

650B10 Dx/Sx

230 V electromechanical folding door operator. Right Hand operation. Maximum leaf 1,2 m (telescopic arm to be ordered separately)



Features:

- commercial use
- 230 V motor
- telescopic arm operator
- irreversible motor
- courtesy light with time delay

Pros:

- semi-intensive use
- high torque and power
- strong telescopic arm

Technical features

	B10
Power supply	230 V AC (50 - 60 Hz)
Motor power supply	230 V AC
Absorption	0,76 A
Absorbed power	140 W
Duty cycle	50 %
Max. torque	334 Nm
Operating temperature	-20° C ÷ +55° C
Motor thermal protection	150° C
Degree of protection	IP 40
Opening time 90°	14 sec.
Reduction ratio	1/672
Max. wing width	1,2 m



The above represented installation does not include safety devices such as safety edges. Their addition depends upon the risk assessment made on any installation in accordance with EN 12445-12453 standards.

Accessories



150L06
Support 605 mm long



150KITBDLM
Straight arms side kit



300PPI
Heavy duty pushbutton panel



C-CRT
Warning signal



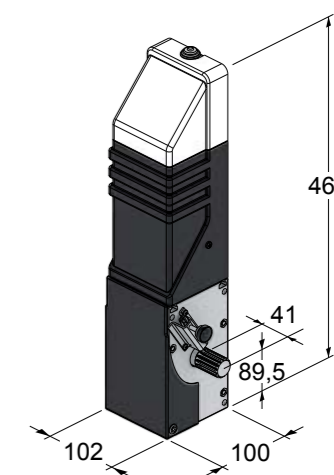
550MS
Release mechanism



750D750M
Electronic control unit for one or two 230 V gate operators with soft-stop and built-in 433,92 MHz radio receiver, complete with enclosure



C-TARG
Aluminium CE Mark Label, self adhesive



Further accessories:
Transmitters page 104
Photocells page 110
Flashing lights page 113